



Pressalit Adjustable Shower Seat Product Details

Two adjustment options:

- **Flex:** Vertical adjustment for optimal care options.
- **Plus:** Vertical + Horizontal adjustment for maximum accommodation ([wall track sold separately](#)).

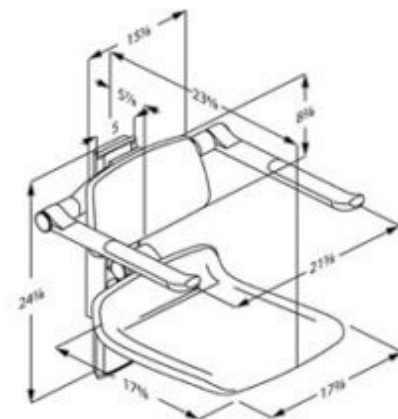
Folds to the wall to save space.

Features:

Soft, warm feel. Arm supports included.

Seat, backrest, and support arms adjust separately. No tools needed.

Elegant Danish design. Sturdy, reliable components.



Flex Shower Seat Dimensions
R7434

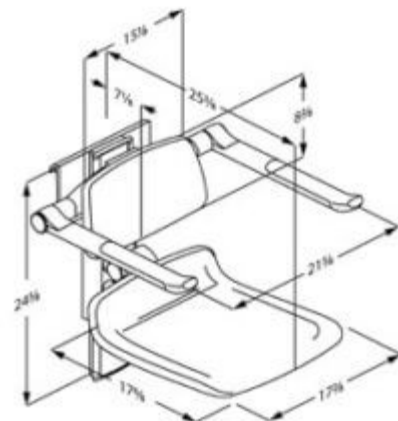
Dimensions: Height adjustment range: 7.7"

Projection from wall:

- **Flex:** Unfolded: 23.75"; Folded: 8.25" SKU: R7434
- **Plus:** Unfolded: 25 3/8"; Folded: 10.25" SKU: R7464

Seat surface: 17.7" x 17.2"

Total width, including arm supports: 21.5"



Plus Shower Seat Dimensions
R7464

Total product height, including adjustment bracket: 24.5"

See installation drawings for additional dimensions.

Construction: Seat: Polyurethane (PU) foam with plywood core, molded coated surface with clear PU lacquer.
Backrest: PU foam, clear PU lacquer
Support Arms: 3/8" anodized aluminum, non-slip soft SEBS gripping surface, glass-reinforced nylon core
Hinge Arm: soft SEBS (Styrene-ethylene-butylene-styrene)
Internal components, fasteners: primarily stainless steel.

Weight Capacity: 440 lbs

Product Weight: Plus: 42 lbs
Flex: 38 lbs

Availability: Sold throughout the United States.

Delivery: 2-3 weeks.

Warranty: Five years limited warranty on parts; one year on labor.
[See our complete warranty and other policies here.](#)

Discount: Product price and shipping discount when purchasing multiple units. Call for details. 800.577.1555

[Plus Installation Drawing](#)

[Flex Installation Drawing](#)

[User Manual](#)

[Plus Downloadable CAD Drawing](#)
[Plus Downloadable BIM Drawing](#)

[Flex Downloadable CAD Drawing](#)

[Flex Downloadable BIM Drawing](#)

Complete Specifications & Submittal Information:
See Installation Drawings and User Manual

Subject to change. Last updated Feb 2023

Access Your World

MAX-Ability offers complete restroom solutions that provide comfort, safety, and dignity to wheelchair users and caregivers, including ergonomic adjustable changing tables, sinks, toilets, and shower seats for total accommodation for everyone. Call us today and access your world!

1.800.577.1555



Customer Service

[Purchasing & Payment Methods](#)

[Delivery / Returns / Warranty](#)

[Privacy Policy](#)

[Terms and Conditions](#)

Resources

[Product Manuals](#)

[Installation Drawings](#)

[Internet Resources](#)

[Architects Resources \(inc. Specs/CAD\)](#)

Connect with us





All rights reserved. Copyright 2023 © **MAX-Ability, Inc.**

MAX-Ability provides special needs equipment to consumers and businesses in the USA and Canada